



TTLock

F605PFMT-US

Smarter Solutions

For Your Home.



VOCA
Building Materials Co., Ltd.

VOCA Building Materials Co., Ltd.

**61/156 Thaveemitra Soi 5, Rama IX Rd., Huaykwang,
Huaykwang, Bangkok 10310**

Tel : (662) 612-2029 (Auto), Mobile : (66) 87-591-2233

Product Overview



Front Body

24.5(D)x69(W)x161(H)mm



Back Body

24.5(D)x69(W)x156(H)mm

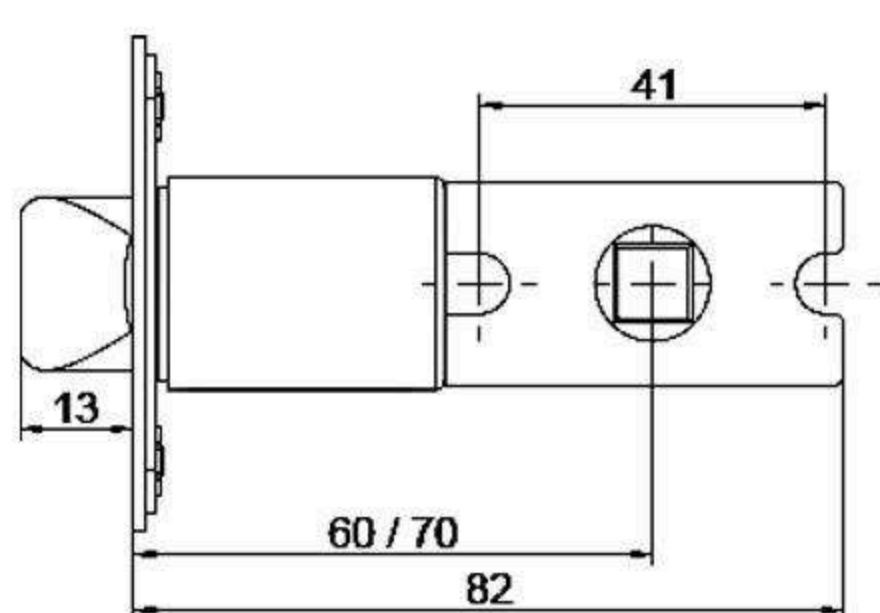
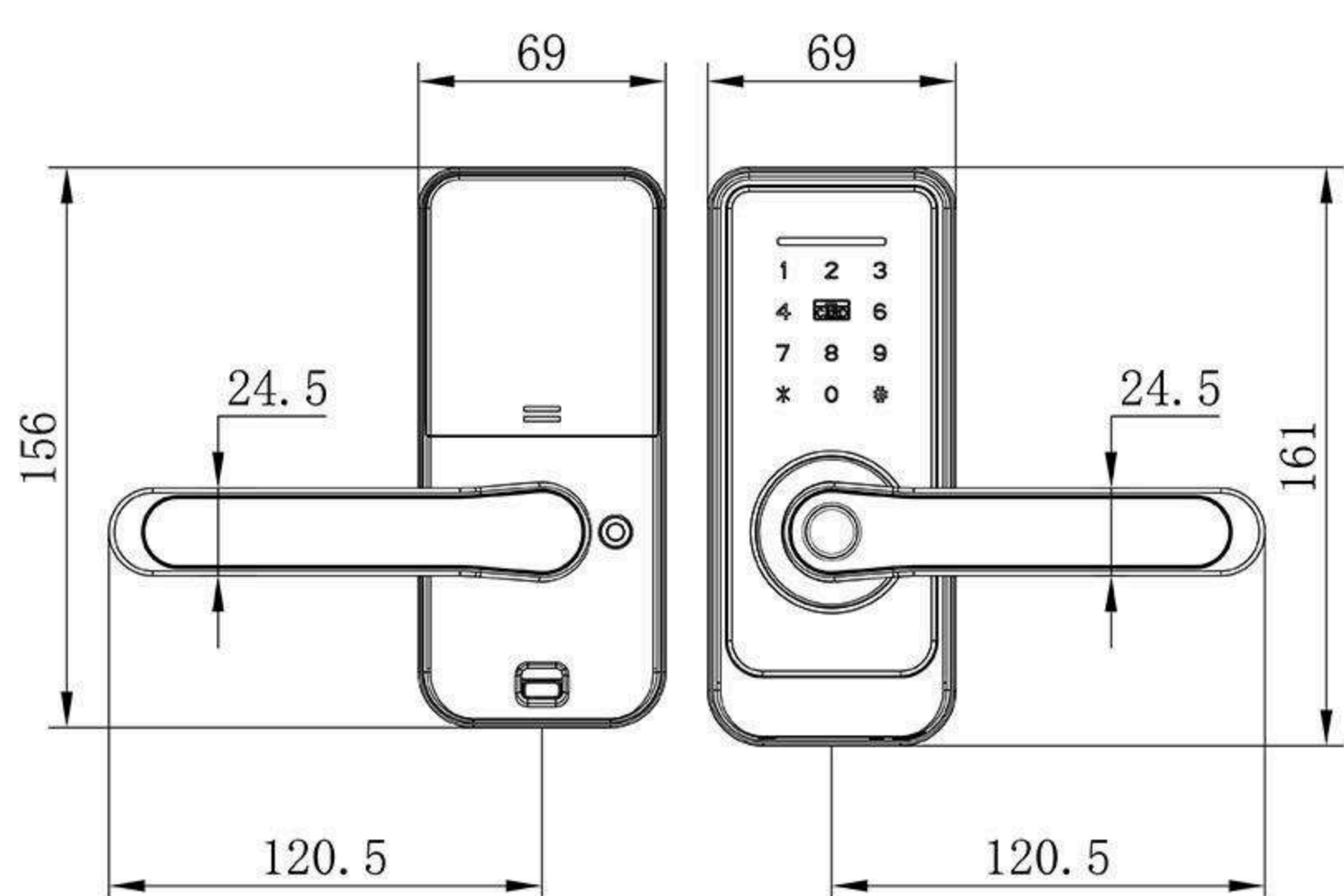
Specification

Door Thickness	Applicable range 35-50mm
Backset	60/70 mm
Pin Code	150 Groups
RFID Card	1000 pcs
Fingerprint	100 Groups
Battery	4X1.5V AA alkaine batteries
Opertation Temp	-10-55°C
Opertation Humidity	20%-93%RH
RFID Specifications	13.56MHz technology Compatible with ISO 14443 A standard

Main Features

- There are Mobile key, PIN code, fingerprint, RFID card.manual key override for your choice.
- You can enter random numbers prior or after to the right code when there is a chance to expose to others.
- Low battery indication to remind you to replace new batteries.
- For emergency, it can be also unlocked by a manual key override.
- The lock can be powered with a Type-C power back-up when you forget to replace the batteries.
- 5050 mortise are available for the lock.
- More than 100,000 life cycles.
- Allow users to configure and unlock the lock via mobile phone.
- Optional gateway, the user can remotely unlocking, view and calibrate the time of the lock, read the unlocking record, remotely configure the lock.

Product Dimensions



Cylindrical Latch