

Hotel Lock Series

F3 SERIES

Main Features:

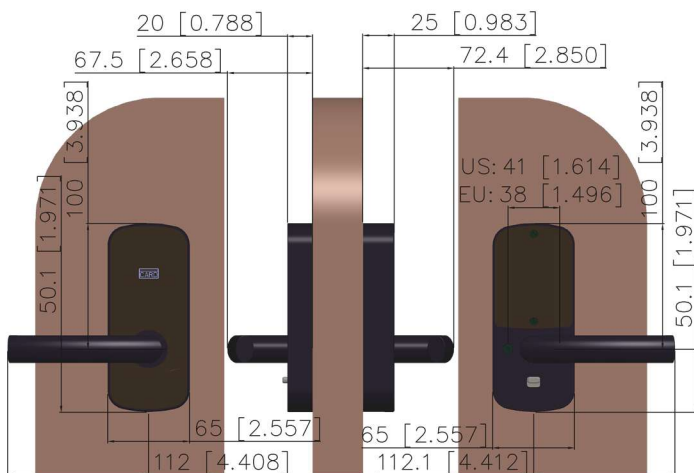
- Stand alone electronic lock with Mifare classic RFID technology.
- Operates with a completely sealed contactless module.
- Stainless steel handle with high strength central spindle.
- ADA compliant.
- Powered by 4 AA alkaline batteries installed inside of the back body that will last for approximately 1 year with 10 times operations daily.
- Compatible with door lock management system platform.
- 400 access events can be audited.
- Emergency opening with mechanical cylinder.



VOCCA

Hotel Lock Series

Locking Mechanism	Handle clutch mechanism on front body
Mortise Compatibility	Tubular Latch
Door Thickness	35-50mm
Life Cycles	Up to 200,000 cycles
RFID Specifications	13.56MHz technology Compatible with ISO 14443 A standard Sector 0 for door lock use, Sector 15 for ESU use (Room specified function only)
Finishes	Brushed Stainless Steel Matt Black
Available Shape of Key Cards	Contactless RFID Key Cards Contactless RFID Key fobs Contactless RFID silicone Bracelet Contactless RFID key fobs Bracelet
Warranty	1 year warranty
Environmental Conditions	Operation: -20-60°C, 20%-95%RH(without dew forming) Storage: -20-60°C, 0%-95%RH(without dew forming)



VOCA Building Materials Co.,Ltd.
61/156 Thaveemitra Soi 5, Rama IX Rd.,
Huaykwang, Huaykwang, Bangkok 10320
Tel : (662) 612-2029 (Auto)
Mobile & Line : 087 591 2233
E-mail : voca@truemail.co.th
Website : www.vocathailand.com