

8256 Series

TT Electronic Lock

Ideal for small and medium-sized hotels and apartments, the electronic Lock allows centralized room management via the TT lock app. Built with a robust and durable lock mortise, it withstands frequent use for long term.

Simple to operate and manage, it comes with a mechanical key as standard and supports multiple access methods—fingerprint, password, card, QR code, or combinations to suit diverse needs.

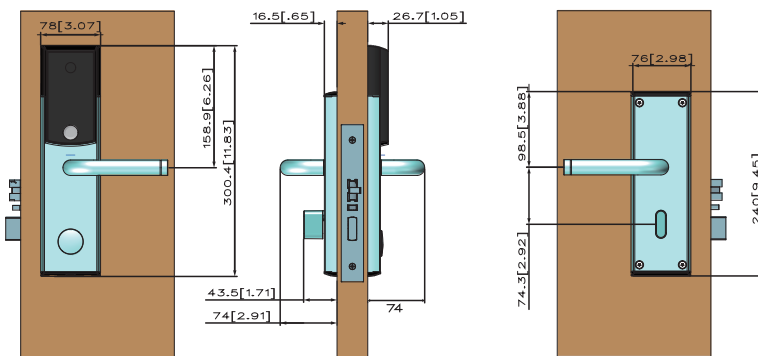


Features:

- **High mechanical reliability, built to last.**
- **Stainless steel construction, waterproof and weather-resistant for harsh environments.**
- **Rent and utility fee integration; access denied if unpaid.**
- **One-time passwords function allows new guest room tour without owner present.**
- **Online contract signing and payments for seamless transactions.**
- **Remote management: card deactivation, password updates, and lock control (gateway required).**
- **Multilingual support: Portuguese, English, French, Russian, Greek, Chinese.**

Technical Data:

Power	4x1.5V AA alkaline batteries
Battery Location	Inside of the back lock
Material	Stainless steel
Metal Finishes	Silver
Emergency Opening Options	Emergency Opening with Mechanical cylinder
Locking Mechanism	Electron-mechanical locking mechanism
Door Thickness	35-80mm
System Software Compatibility	TTLock/TT HOTEL/TT Renting
Tested Operating Temperature	-20C~70C, non-condensing environment
Supported RFID Standard	ISO14443A(MIFARE Classic)
Connection	Bluetooth



FINGERPRINT



DIGITALPASSWORD



RFID CARD



TTlock Smart Lock

VOCA Building Materials Co.,Ltd.
 61/156 Thaveemitra Soi 5, Rama IX Rd., Huaykwang,
 Huaykwang, Bangkok 10310
 Tel : (662) 612-2029 (Auto),
 Mobile : (66) 87-591-2233
 Line ID : officevoca E-Mail : info@vocathailand.com
 www.vocathailand.com

Specifications may change without notice.

ID:04-BTMA42C2504-EI-01