

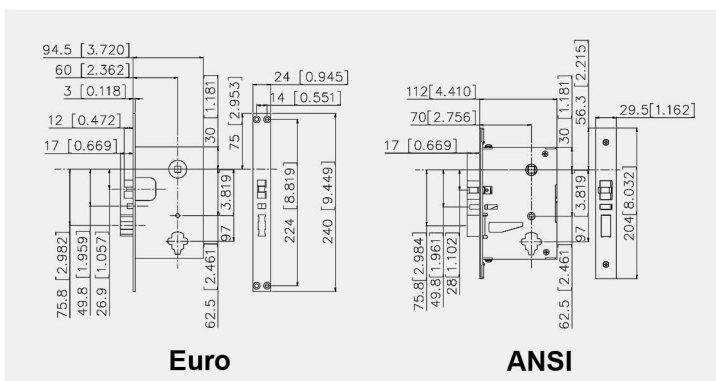
# Hotel Lock Series

## F9 SERIES

### Main Features:

- Stand alone electronic lock with Mifare Classic RFID technology.
- Operates with a completely sealed contactless module.
- High security mortise available in ANSI and Euro versions.
- Stainless steel handle with high strength central spindle.
- 3-point latch construction with anti-friction mechanism.
- Mortise combined with DRP (door position report) function for tracing and recording the door status and openings with mechanical override.
- Panic release function-the deadbolt and latch are automatically retracted by inside handle for easy regress in emergency situation.
- ADA compliant.
- Powered by 4 AA alkaline batteries installed outside of the back lock that will last for approximately 1 year with 10 times operations daily.
- Compatible with door lock management system platform.
- 400 access events can be audited.
- Emergency Opening with Mechanical cylinder.

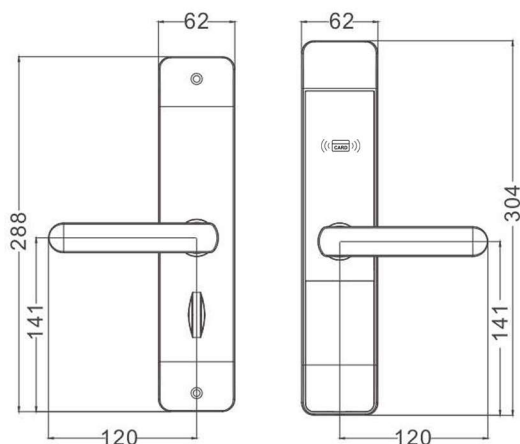
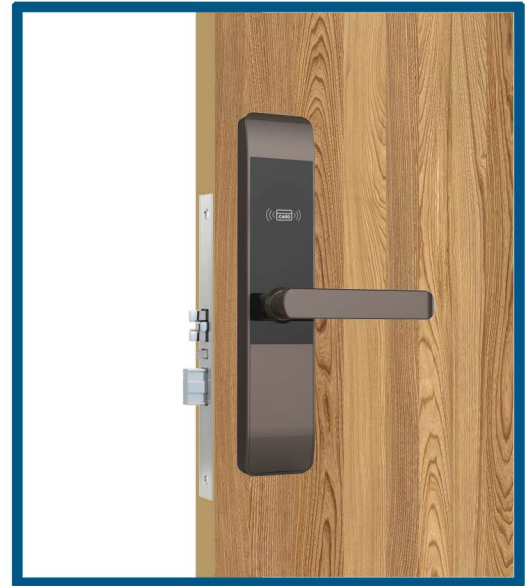
### Mortise Compatibility



VOCA

# Hotel Lock Series

Locking Mechanism	Electro-mechanical locking mechanism on mortise
Mortise Compatibility	ANSI Mortise Euro Mortise
Door Thickness	35-50mm
Life Cycles	Up to 200,000 cycles
Finishes	Coffee Gold Matt black
RFID Specifications	13.56MHz technology Compatible with ISO 14443 A standard Sector 0 for door lock use, Sector 15 for ESU use (Room specified function only)
Available Shape of Key Cards	Contactless RFID Key Cards Contactless RFID Key Fobs Contactless RFID Silicone Bracelet Contactless RFID Key Fobs Bracelet
Warranty	1 year warranty
Environmental Conditions:	Operation: -20-60°C, 20%-95%RH(without dew forming) Storage: -20-60°C, 0%-95%RH(without dew forming)



VOCA Building Materials Co.,Ltd.  
 61/156 Thaveemitra Soi 5, Rama IX Rd.,  
 Huaykwang, Huaykwang, Bangkok 10320  
 Tel : (662) 612-2029 (Auto)  
 Mobile & Line : 087 591 2233  
 E-mail : voca@truemail.co.th  
 Website : www.vocathailand.com